

LEXINGTON BIDET

5007.014 For deck-mounted fitting (Illustrated)

- Vitreous china
- Flushing rim and vertical cleansing spray
- Integral overflow
- 2 bolt caps

Shown with 8391.803 Amarelis fitting with Fabian handles (not included)

5007.041 For over-the-rim fitting

- Vitreous china
- Punched for single hole, over-the-rim fitting, less flushing rim and spray
- Integral overflow
- 2 bolt caps

Nominal Dimensions:

654 x 352 x 381mm
(25-3/4" x 13-7/8" x 15")

Fixture Dimensions conform to ANSI Standard A112.19.2



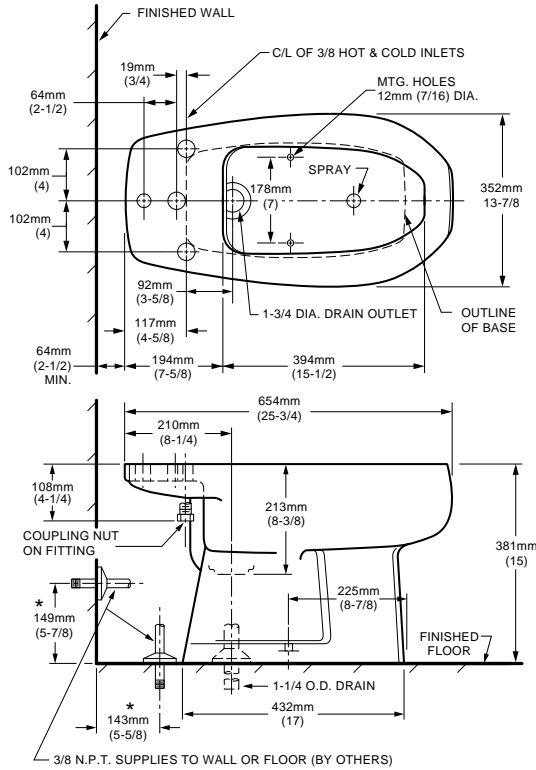
NOTE: Roughing-in information shown on reverse side of page.

To Be Specified

- Color:
- Bidet Fitting*:
- Fitting Finish:
- Trap:
- Supplies with Stops:

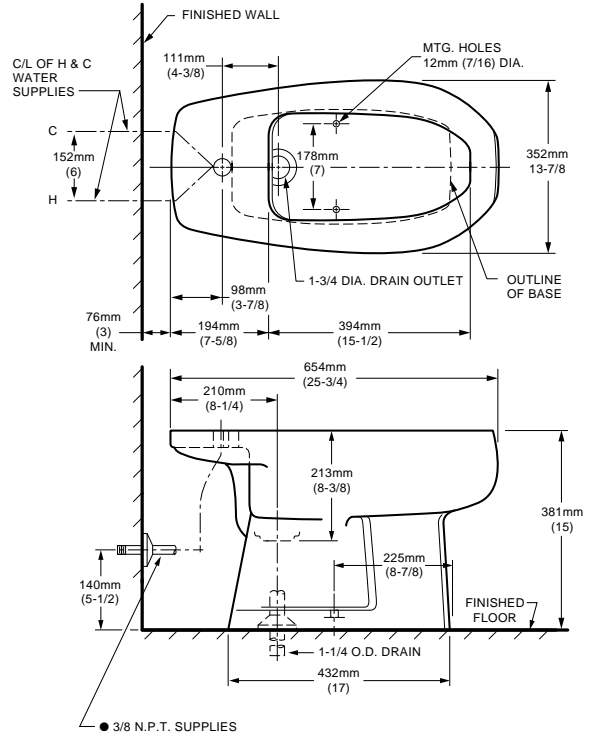
* See faucet section for additional models available

5007.014
For Deck-Mounted Fitting Variation



- NOTES:**
- * DIMENSIONS SHOWN FOR LOCATION OF SUPPLIES ARE SUGGESTED.
 - BIDET FITTING HAS TRANSFER VALVE FEATURE.
 - "P" TRAP AND FITTINGS NOT FURNISHED WITH BIDET AND MUST BE ORDERED SEPARATELY.
 - PROVISIONS MUST BE MADE FOR THE INSTALLATION OF TRAP IN FLOOR.
- IMPORTANT:** Dimensions of fixtures are nominal and may vary within the range of tolerances established by ANSI Standard A112.19.2. These measurements are subject to change or cancellation. No responsibility is assumed for use of superseded or voided leaflet.

5007.041
For Over-the-Rim Fitting Variation



- NOTES:**
- 3/8 N.P.T. x 3/8 O.D. COMP. SUPPLIES LESS VERTICAL RISERS (BY OTHERS).
 - "P" TRAP AND FITTINGS NOT FURNISHED WITH BIDET AND MUST BE ORDERED SEPARATELY.
 - PROVISIONS MUST BE MADE FOR THE INSTALLATION OF TRAP IN FLOOR.
- IMPORTANT:** Dimensions of fixtures are nominal and may vary within the range of tolerances established by ANSI Standard A112.19.2. These measurements are subject to change or cancellation. No responsibility is assumed for use of superseded or voided leaflet.